

Proportional purging gas valve

Datasheet



The proportional purging gas valve activated by the APEX controller conducts the supplied purging gas into the Ex px control cabinet.

During the purging phase the purging gas valve opens far enough to allow the max. purging gas pressure to be reached and ensure purging pressure in the encapsulated control cabinet. After the purging phase the purging gas valve closes. The leakage from the Ex px control cabinet is compensated by the valve's linear opening. Only the actual loss by leakage is compensated when the proportional purging gas valve is used.

Explosion protection

Ex protection type ATEX	Ⓔ II 2G Ex mb IIC T4 Gb
Certification	EPS 15 ATEX 1073X
Ex protection type IECEx	Ex mb IIC T4 Gb
Certification	EPS 15.0066X
Approved for	Zones 1 and 2
Ambient temperature	-40 °C to +40 °C
	Other approvals and certificates, see bartec.com

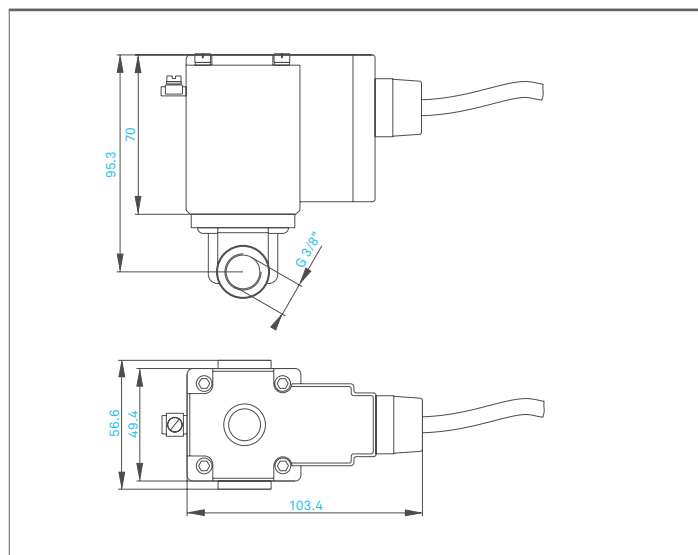
Technical Data

Supply voltage	DC 24 V/15 W
Voltage tolerance	± 10 %
Pressure range	0 to 3.5 bar
Valve connection	G 3/8"
Nominal diameter	6.0 mm
Max. Ex px control cabinet capacity	1.000 litres
Weight	approx. 1.2 kg
Protection class	IP 65
Assembly	Inside Ex px operating equipment
Scope of supply	valve with 3-m connection cable 2 x purging air nozzle, without boreholes

Purging air nozzle

Ex px control cabinet capacity	Recommended purging air nozzle
< 50 litres	Ø 2.8 mm
≤ 50 litres < 300 litres	Ø 3.9 mm
≥ 300 > 700 litres	Ø 4.5 mm
≥ 1000 litres	Ø 5.5 mm

Dimensions in mm



Ordering information

Voltage		Order no.
DC 24 V	Brass valve body	05-0056-0081
	Stainless-steel valve body	on request