

# SILAS control unit



- Small design
- Easy to use
- Separate purge gas input and output

The SILAS control system is used to monitor electrical equipment constructed in accordance with the method of „pressurised enclosure with leakage loss compensation“. Consisting of a SILAS control unit type A7-3741-1110/\*00\* and a pressure monitor type 17-51P3-1604, this is a complete safety device. The following components are additionally required to set up a complete control system:

- Pressure monitor
- Purge gas valve, digital (gas application)
- Pressure reducer

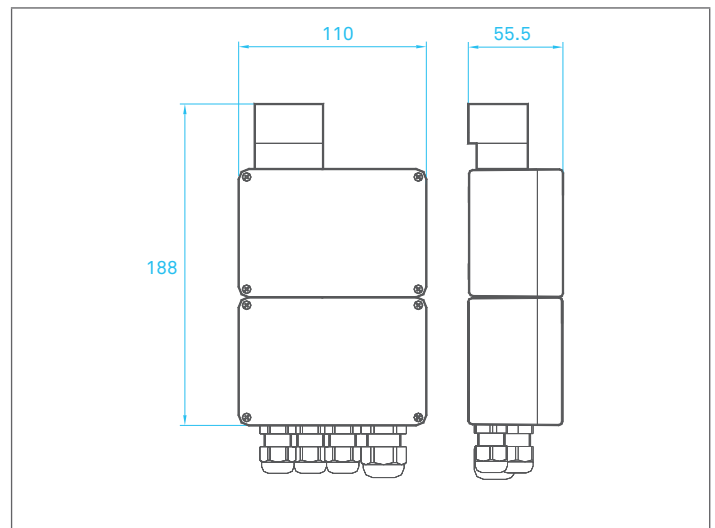
### Technical data

Directives	Directive 2014/30/EU Directive 2014/34/EU
Structure	Protective housing with or without window
Housing material	Polyester, fibreglass-reinforced
IP rating	IP 54
Terminals	0.08 to 2.5 mm <sup>2</sup> , fine-wire, tension spring
Pressure measurement range	0 to 25 mbar
Pre-purge time	0 to 60 min
Weight	1.2 kg

### Electrical data

Supply voltage	24 V DC, ±10 % 115 V AC, ±10 % 230 V AC, ±10 %
Power consumption	8 Watts
Normally open contacts	Release relay, floating Alarm relay, floating Control relay Purge valve

### Dimensions



### Ordering information

A	Supply voltage 1 – AC 230 V, +/- 10 %, 50 Hz - 60 Hz 2 – AC 115 V, +/- 10 %, 50 Hz - 60 Hz 4 – DC 24 V, +/- 10 %
B	Version 0 – Without viewing pane 2 – With viewing pane

Complete order no. Please insert code number.



### Explosion protection

Marking/ambient temperature	
ATEX marking	Ⓜ II 3G Ex ec nC [pzc] IIC T4 Gc Ⓜ II 3G Ex ec nC [pzc] IIC T6 Gc Ⓜ III 3G Ex tc [pzc] IIIB T85 °C Dc
Certification	TÜV 09 ATEX 553359 X
IECEx marking	Ex ec nC [pzc] IIC T4 Gc Ex ec nC [pzc] IIC T6 Gc Ex tc [pzc] IIIB T85 °C Dc
Certification	IECEx TUN 10.0030 X
Other approvals and certificates, see <a href="http://bartec.com">bartec.com</a>	
Approved for	Zone 2 and Zone 22
Ambient temperature	In storage -20 °C to +60 °C During operation -20 °C to +60 °C/T4 -20 °C tp +40 °C/T6