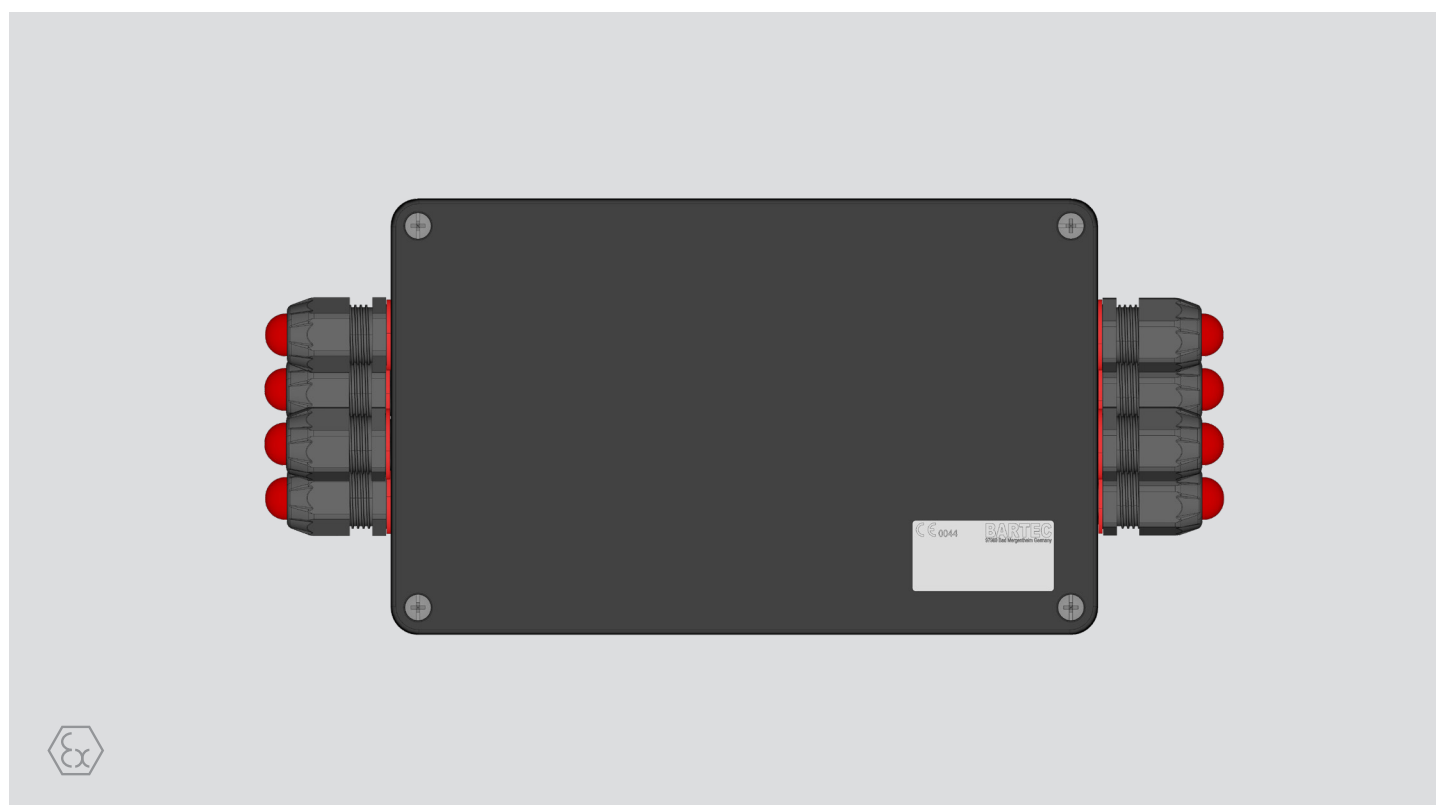


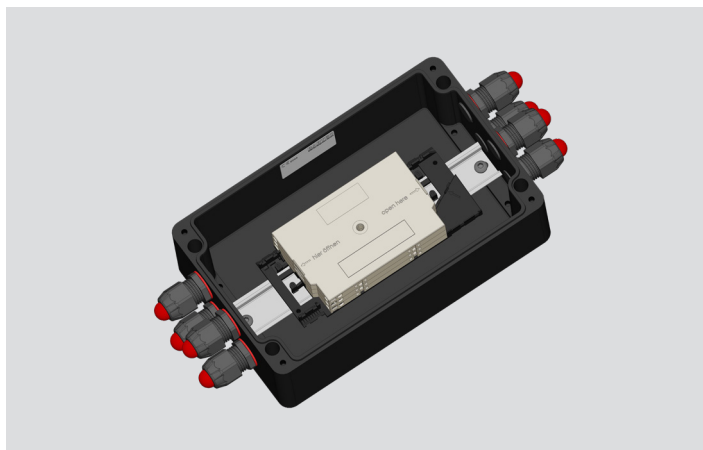
Fibre Optical Splice Box (GRP)

Suitable for Zone 1/21 & Zone 2/22



The new BARTEC fibre optical splice box, enables professional and time-saving connection of fibre optical cables. The fibre optical splice box comes with 2 splice cassettes and provides space for up to 24 fibre optic cables. The splice cassette is used, for example in connection chambers as a transfer point between the flameproof enclosures and control room or as a connection point between the fibre optical cables.

- Mounted in a GRP enclosure
- For a time saving installation
- Easy fixing



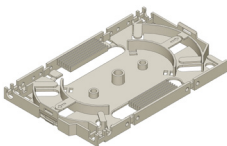

Order details

Code	07-3103-2609/9003
ERP-No.	450869

Technical data

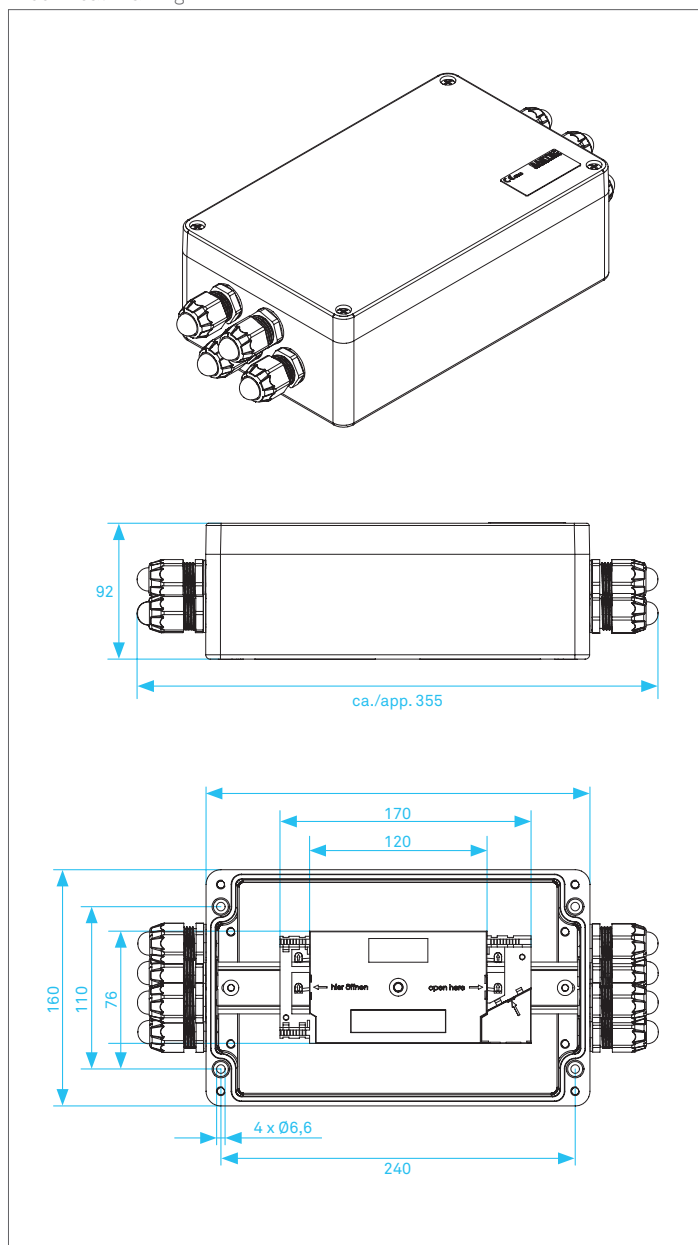
Marking per 2014/34/EU	Ex II 2G
Marking ATEX (Gas)	II 2G Ex eb op pr IIC T6 Gb
Certification	IBExU 12 ATEX 1099 X
Marking IECEx (Gas)	Ex eb op pr IIC T6 Gb
Certification	IECEX 12.0031X
Degree of protection acc. to EN 60529	IP66
Enclosure material	Glass reinforced polyamide (GRP)
Connection	Cable glands 8x M20 in Polyamide
Permitted amb. temperature	-40 °C ≤ T _{amb} ≤ 60 °C (Standard)
Weight	2.5 kg
Splice cassettes	2x for 12 fibre optical cables each

Accessory (possible extension)

Item	Description	ERP-No.
	Connection splice cassette including cover	450689
		

Sample:

Technical Drawing



Delivery

Deliver including EU-Declaration of Conformity and operating manual.

Maintenance

Inspection and maintenance acc. to IEC/EN 60079-17.

Different enclosure sizes and enclosure materials on request www.bartec.com