



Local control stations for Zone 2 and Zone 22

Features

- The right size/material enclosure
- Optimum functionality thanks to the great variety of components
- Customised planning and implementation
- Certified to many standards

Description

BARTEC produces local control stations for use in areas with flammable gases and dusts. Depending on the application area, the control stations are designed with the type of protection "Increased safety" or "Protection by enclosure".

The explosion-protected local control stations are available in aluminium, polyester or stainless steel. When selecting the version, you can choose between a cabinet with door and an enclosure with screw cover.

Control, signalling and display devices and remote I/O systems are installed according to customer specifications.

The installation of industrial standard equipment in controls for Zone 22, type of protection t "Protection by enclosure" is possible.

The control elements can also be mounted on a mounting rail or in the front wall. Free installation areas can be designated for the subsequent installation of BARTEC control and signalling devices, which are then sealed using blanking plugs.

All explosion-protected local control stations are supplied prewired on terminals.

Fields of application

Chemical and petrochemical industry, process and plant engineering, pharmaceutical and food industry, OFF SHORE areas.



Explosion protection

Ex protection type

(depending on the components installed)

for Zone 2

Ex II 3G

Ex db/dc eb/ec ma/mb/mc op is opsh q ia/ib/ic [ic] IIA, IIB, IIC T6, T5, T4 Gc

Ex II 3(2)G

Ex db/dc eb/ec ma/mb/mc op is opsh q ia/ib/ic [ib Gb] IIA, IIB, IIC T6, T5, T4 Gc

Ex II 3(1)G

Ex db/dc eb/ec ma/mb/mc op is opsh q ia/ib/ic [ia Ga] IIA, IIB, IIC T6, T5, T4 Gc

for Zone 22

Ex II 3D

Ex tc op is [ic] IIIA, IIIB, IIIC T80 °C, T100 °C Dc

Ex II 3(2)D

Ex tc op is [ib Db] IIIA, IIIB, IIIC T80 °C, T100 °C Dc

Ex II 3(1)D

Ex tc op is [ia Da] IIIA, IIIB, IIIC T80 °C, T100 °C Dc

Ambient temperature

(special design on request)

-20 °C bis +40 °C

-55 °C bis max. +80 °C

(depending on fixtures)

Technical data

Material

Type A7-3.01 with lid

aluminium

ALSi 12, pressure or chill casting

RAL 7001 silver grey

Type A7-3.03 with lid

glass-fibre reinforced polyester

RAL 9005, deep black

Type A7-3.09 mit door

glass-fibre reinforced polyester

RAL 9011, graphite black

Type A7-3.13 with door

High-quality stainless steel 1.4301 (304)

Type A7-3.32 with lid

High-quality stainless steel 1.4404 (316L)

Enclosure with lid

Type A7-3.36 with door

High-quality stainless steel 1.4404 (316L)

Seals

EPDM (Standard)

-20 °C to +85 °C

PU (Standard at 07-3109)

-20 °C to +80 °C

Silicone

-55 °C to +100 °C

Mechanical strength

(acc. to DIN EN 60079-0)

Impact energy 7 Nm

Protection class

(higher degree of protection on request)

EN 60529/IEC 60529

max. IP 66

Electrical data

Rated voltage

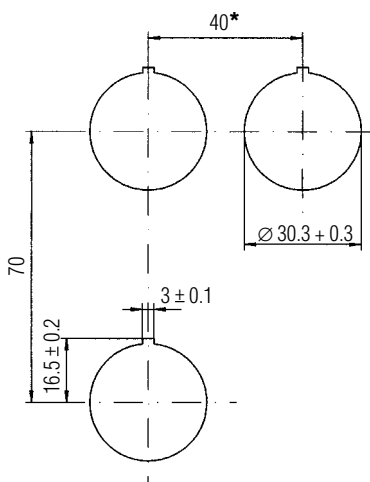
up to 1000 V

Rated current

max. 160 A depending on devices fitted

Mounting dimensions

for switching and light elements according to EN 60947-5-1



* Recommended distance for mushroom pushbutton, emergency switch as well as position selector with protective shroud: 100 mm.

Configuration data for control stations

Type of enclosure

A7-3 -

Dimensions

Width _____ Height _____ Depth _____

Nominal voltage

AC _____ V / DC _____ V

Threaded glands
