

ETH9... – EFST

Acoustic signalers



Installation

hazardous areas - Zone 1 / 2 (Gases) - Zone 21 / 22 (Dusts)

Classification

Group II - Category 2G 2D

Reference standards

Acoustic signalers ETH9...

Directive 2014/34/EU	
Execution	Ⓜ II 2 G Ex d IIC T6 Gb Ⓜ II 2 D Ex tb IIIC T85 °C Db
Rules of compliance	EN/IEC 60079-0; EN/IEC 60079-1; EN/IEC 60079-31
EU Type-Examination Certificate	INERIS 15 ATEX 0012X
Protection degree	IP66
Ambient temperature	-60 °C ÷ +60 °C
Other available certificates	IECEx: IECEx INE 15_0013X RUSSIAN MARINE CERTIFICATE (RMRS): 19.02523.280

Multi-tone electronic siren EFST

Directive 2014/34/EU	
Execution	Ⓜ II 2 G Ex db IIC T6 Ⓜ II 2 D Ex tb IIIC T85 °C
Rules of compliance	EN/IEC 60079-0; EN/IEC 60079-1; EN/IEC 60079-31
EU Type-Examination Certificate	EXA 14 ATEX 0046
Protection degree	IP66
Ambient temperature	-60 °C ÷ +60 °C
Other available certificates	RUSSIAN MARINE CERTIFICATE (RMRS): 19.02523.280 IECEx: IECEx EXA 14.0003

Mechanical characteristics

Body	marine grade copper free aluminum light alloy
Cover	marine grade copper free aluminum light alloy
Screws	stainless steel

On Request Accessories

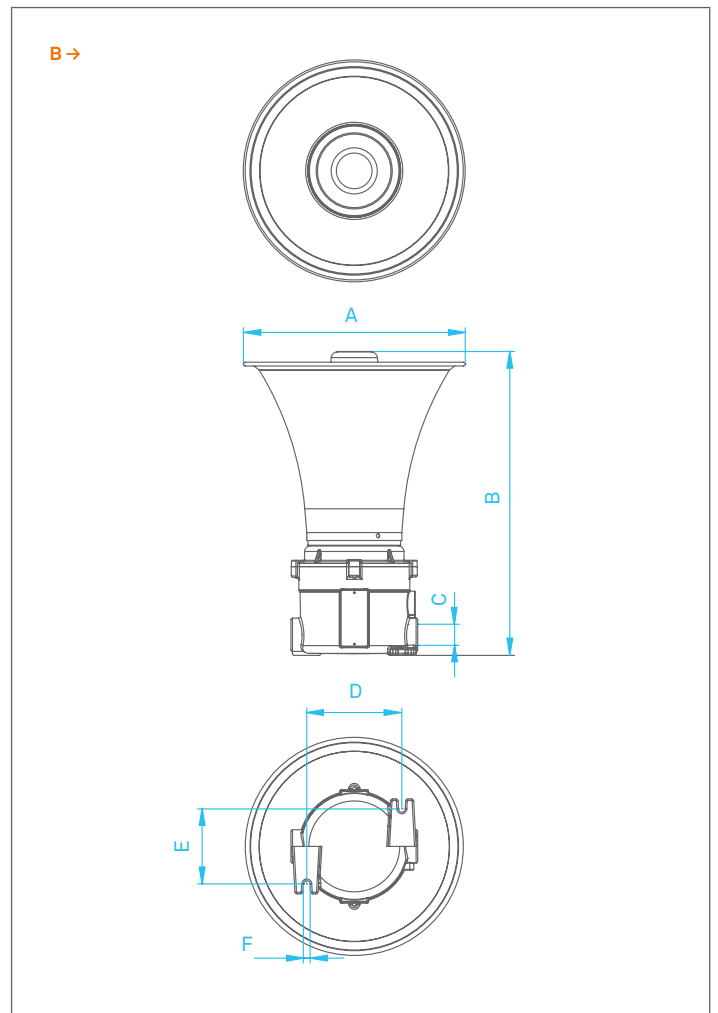
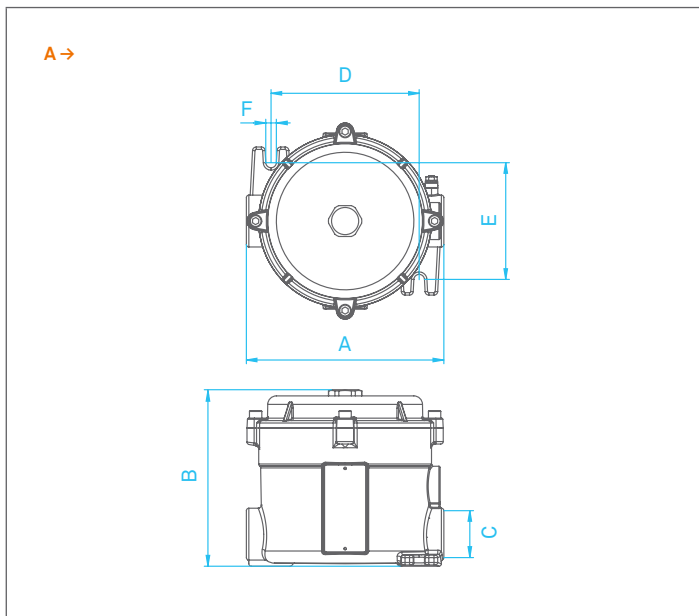
- External epoxy painting (any colours)
- Threaded cable entry different than standard

Technical features

CODE	A [mm]	B [mm]	Ø C [mm]	D [mm]	E [mm]	F [mm]	Temperature class (gas)	Temperature class (dust)	Weight [Kg]	Detail
ETH9	160	143	NPT 3/4"	120	95	9	T6	T85°C	2	A
EFST	280	383	NPT 3/4"	120	95	9	T6	T85°C	2,6	B

Type	Voltage	Consumption	Duty	Sound intensity [db]
eTH9#012AC	12 V - 50/60 Hz	13 VA	continuous	80
ETH9#024AC	24 V - 50/60 Hz	13 VA	continuous	80
ETH9#110AC	110 V - 50/60 Hz	13 VA	continuous	80
ETH9#230AC	230 V - 50/60 Hz	13 VA	continuous	80
ETH9#012DC	12 V - DC	8 VA	continuous	80
ETH9#024DC	24 V - DC	8 VA	continuous	80
ETH9#110DC	110 V - DC	8 VA	continuous	80
EFST7-12/24VAC/DC	12/24 V DC - AC 50/60 Hz	10 W - 710 mA	continuous	100
EFST7-110-230VAC	110-230 V - 50/60 Hz	10 W - 710 mA	continuous	100

Reference details



EFST multi-tone electronic siren - sound features	
Level	100 db @ 1m
Frequency	440 ÷ 1600 Hz
Available modulations	5
1 - Two tone	400 Hz / 0,1 sec. - 554 Hz / 0,1 sec.
2 - Yelp	750 Hz / 2 sec. ON - 2 sec. OFF
3 - Wail	400÷800 Hz / 2.5 sec. UP - 2.5 sec. DOWN
4 - Pulsed	554 Hz / 1 sec. ON - 1 sec. OFF
5 - Fix tone	554 Hz

REMARK:
Due to the development of the national and international specifications and of the technology, the above technical characteristics showed on this bulletin can be considered as binding on our confirmation only.