

# Flashing beacon

TNFCD/TNFCDM



BARTEC TNFCD/M series is an extreme duty flash beacon solution for use in hazardous location on- or offshore. Designed for the most demanding environments of the North Sea, the beacons have for more than 25 years proven their excellence, providing a low maintenance solution for operators and rig owners worldwide.

Available in Ex de, Ex d or non-Ex. The beacon provides various options, such as powering on when connected, external triggering, or using a siren card for acoustic warnings.

- Stainless Steel 316
- Seawater-resistant
- External trigger
- Siren card available
- Wide temperature range
- Multiple dome colors

### Explosion protection

Marking	⊕ II 2 G Ex db IIC T4 Gb or Ex db eb IIC T4 Gb
TNFCD	⊕ II 2 G Ex db IIC T4 Gb
TNFCDM	⊕ II 2 G Ex db IIC T4 Gb
Certification	NEMKO 01 ATEX 430
Ambient temperature	-40°C +60°C (-40 °F to +140 °F)

Other approvals and certificates, see [bartec.com](http://bartec.com)

### Technical data

Material	stainless steel 316	
Surface treatment	machined/shot blasted	
SS316L		
Earth terminal	inside and outside	
Cable entry	TNFCD	Standard M25
	TNFCDM	Standard M25, M20 or flying lead on request
Real humidity	100 %	
Dome colours	red, yellow, blue, green, orange, clear	
Flash frequency	1 Hz	
Flash energy	TNFCD	10 joule
	TNFCDM	5 joule
Weight	TNFCD	5.1 kg
	TNFCDM	2.5 kg
Protection class	IP 66 (IP 67 upon request)	
Standards	EN/IEC: 60079-0, 60079-1, 60079-7, 50281-1-1	

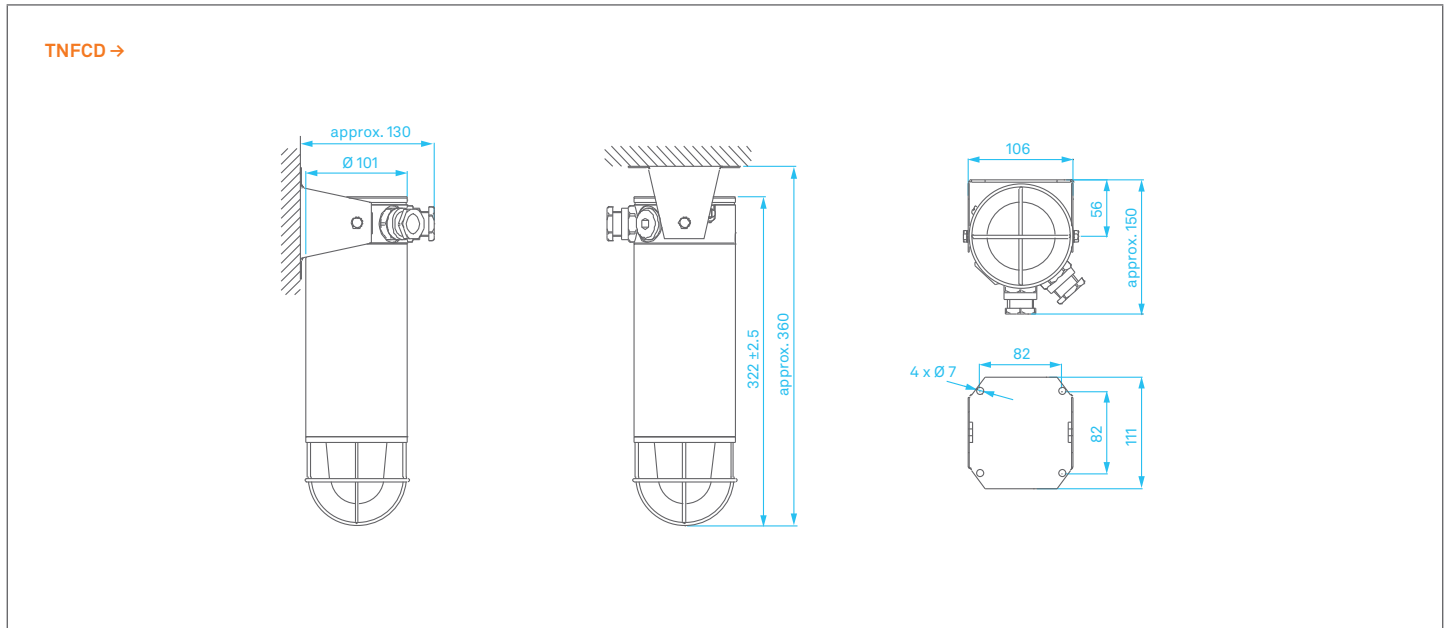
### Flashing beacon TNFCD

Rated voltage	Voltage range	Rated current	Power consumption	Supply frequency	Typical start current	Triggering	Fuse	Siren card for acoustic warning
AC 220 to 254 V	±10 %	110 mA	24 VA	50/60 Hz	>1 A in max. 1 msec.	Direct, telephone, DC 12 to 48 V, potential-free. High or fail safe.	1 to 2 A < time-lag fuse is recommended	AC: Option for 8, 20 or 25 W Ex loudspeaker. 8 Ohm or 100 V line
AC 110 to 120 V	±10 %	220 mA	24 VA	50/60 Hz				DC: Standard for 8 W/8 Ohm Ex loudspeaker
DC 24 to 48 V	±10 %	DC 24 V/670 mA DC 48 V/330 mA	16 VA					

### Flashing beacon TNFCDM

Rated voltage	Voltage range	Power consumption	Typical start current	Triggering
AC 220 to 254 V	AC 190 to 272 V	100 mA	1 A in max. 1 msec	direct
AC 110 to 127 V	±20 %	100 mA		
DC 24 V	±10 %	380 mA		
DC 48 V	±10 %	200 mA		

Dimensions in mm



Dimensions in mm

