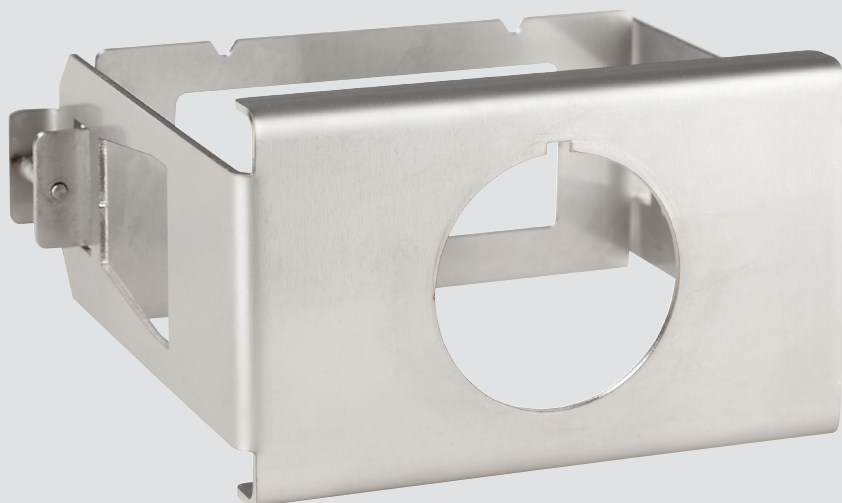


# Operating Instructions

Installation Kit 05-0091-0273





## Information about these instructions

These instructions contain the information required for the correct use of the installation kit. They are intended for technically qualified personnel.

The instructions summarise the most important safety measures and must be read by all those who work with the product to ensure that they are familiar with its correct use.

The instructions must be held on to and must be available for the entire service life of the product.

## Description

An installation kit for switch type 07-3381-\*\*\*\* is provided for front mounting in control boxes.

It consists of mounting bracket, base plate and two grub screws with tappets and coating to secure the screws.

Order No. 05-0091 -0273

## Safety instructions

Use in areas other than those specified or modifications to the product by someone other than the manufacturer exempts BARTEC from liability for defects and further liability.

Malfunctions are possible in the event of incorrect installation.

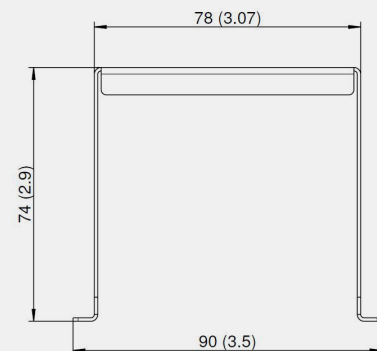
The generally applicable statutory regulations and other binding directives governing industrial health and safety, accident prevention and environmental protection must be complied with. The installation kit may only be used in a clean, undamaged condition. Modifications and alterations are not permitted.

## Technical data

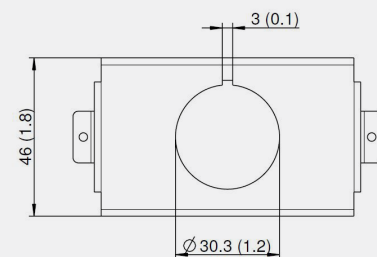
Installation options	For wall thicknesses of between 1 and 5 mm (0.04 to 0.2 in)
Mounting	- Mounting bracket: by screwing the fixing nut onto the actuating element - Base plate: locked into place on the switch and then screwed to the mounting bracket using grub screws with adhesive coating
Material	Stainless steel 1.4301 (V2 A), AISI 304
Mass	Approx. 69 g (0.15 lb)

## Dimensions in mm (in)

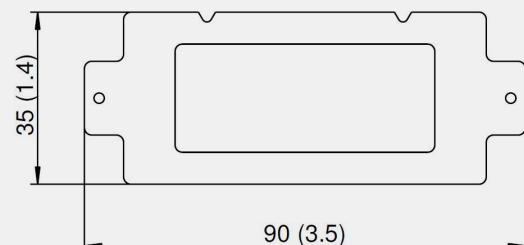
Mounting bracket



Mounting bracket, side view



Base plate



## Labelling

Especially important parts of these instructions are marked by a symbol:



**DANGER** indicates an imminently hazardous situation which, if not avoided, will result in death or serious injury.



**WARNING** indicates a potentially hazardous situation which, if not avoided, could result in death or serious injury.



**CAUTION** indicates a potentially hazardous situation which, if not avoided, may result in death or serious injury.



**ATTENTION** indicates a potentially hazardous situation which, if not avoided, may result in property damage.



**NOTE** Important instructions and information on effective, economical and environmentally compatible handling.

## Transport, storage



### ATTENTION!

**Damage to the installation kit as a result of incorrect transport or incorrect storage.**

- Transport and storage are only permitted in the original packaging.

## Assembly, Installation, and Commissioning



### WARNING!

**Risk of injury due to incorrect procedure.**

- Assembly, dismantling, installation and commissioning work may only be carried out by authorised, qualified personnel.



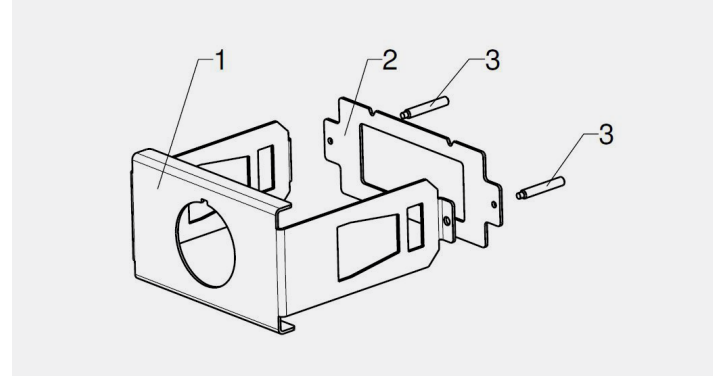
### ATTENTION!

**Damage to equipment due to incorrect procedure.**

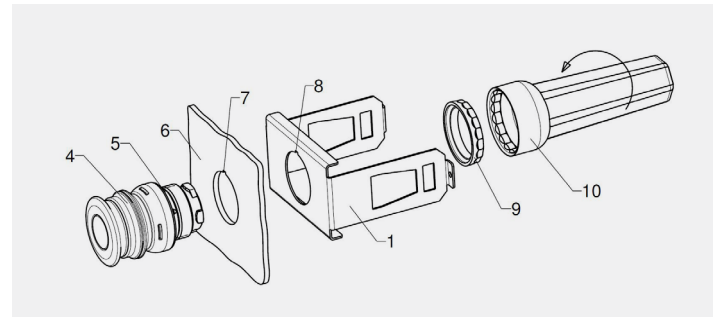
- Check that the installation kit and switch are in perfect working order (undamaged).

## Assembly/dismantling

The installation kit consists of two parts: mounting bracket (1), base plate (2) and two grub screws with coating to secure the screws (3).

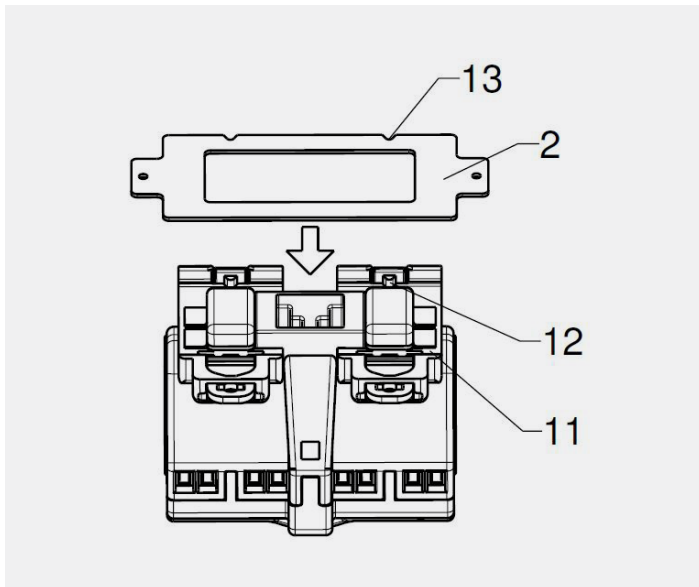


## Assembling the mounting bracket



- Insert the actuating element (4) 1 to 5 mm (0.04 to 0.2 in) into the housing wall (6). Ensure that the retention lug (5) on the actuating element sits in the opening (7) in the housing wall.
- Place the mounting bracket (1) onto the screw thread of the actuating element (4). Take care that, where applicable, the retention lug (5) on the actuating element sits in the opening (8) of the mounting bracket.
- Using the spanner (10), order number 05-1191- 0001, screw the fixing nut M30x1.5 (9), order number 05-1138- 0009, onto the actuating element (4). Tightening torque 2.8 to 3.4 Nm.

## Locking the base plate onto the switch



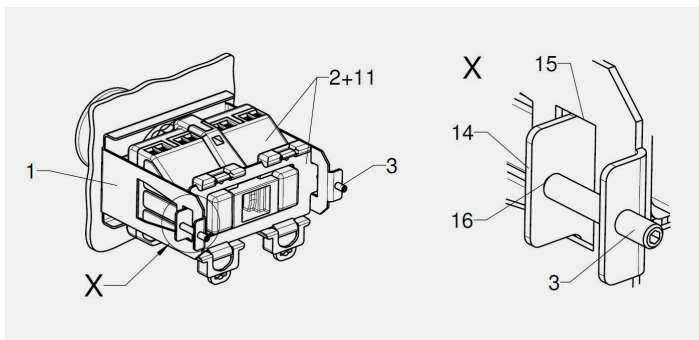
- Place the base plate (2) onto the underneath of the switch (11). Ensure that the openings in the base plate (13) correspond to the retention lugs on the switch (12).
- Press the base plate (2) to lock it into place.

## Screwing the mounting bracket to the base



### NOTE

The position of the switch must correspond to that of the actuating element.



- Hang the switch (11) with latched base plate (2) in the mounting bracket (1). Lugs (14) on the base plate (2) must be placed in the side openings (15) of the mounting bracket (1). To do this, gently prise the mounting bracket apart.
- Screw the grub screws (3) with the tappets facing forwards into the threaded holes on the mounting bracket. Grub screw: Allen screw, width 1.5 (0.059). Centre the grub screws in the drill holes (16) of the base plate (2) and tighten slightly.

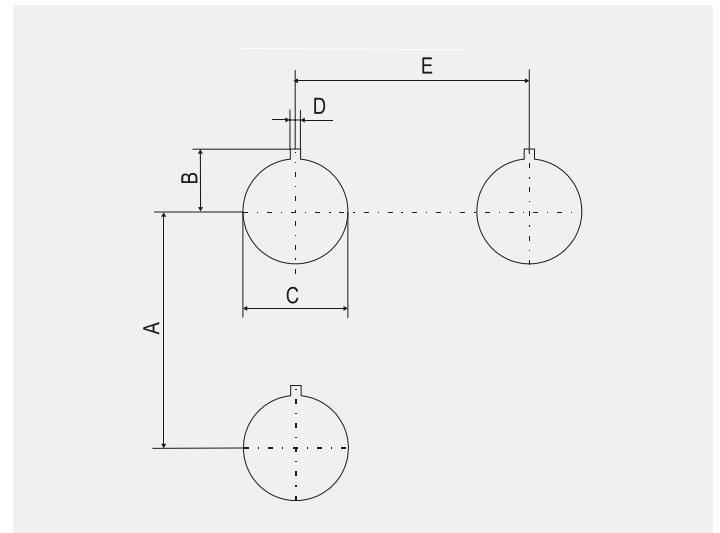
## Installation and commissioning



### NOTE

Detailed information on installation and commissioning can be found in the operating instructions for switch type 07-3381-...

## Installation grid dimensions



	mm	in
A	100	3.9
B	16,5	0.65
C	$\varnothing 30,3^{+0,3}$	$\varnothing 1,9^{+0,01}$
D	3	30
E	100	45

## Maintenance and troubleshooting



### WARNING!

#### Risk of injury due to incorrect procedure.

- Maintenance and troubleshooting work may only be carried out by authorised, qualified personnel.

## Wartung



### WARNING!

#### Serious accidents due to damaged components.

- Check control switches, position selector switches, installation kit and cables regularly for tears, damage and to ensure they are mechanically secure.

The operating company must keep the switches, actuating element and the installation kit in good condition, and must operate them correctly, monitor them and clean them regularly.



### NOTE

Do not use compressed air to clean dirty switches, actuating elements and installation.

## Troubleshooting



### WARNING!

#### Serious accidents due to the use of non-original spare parts.

- Only replace parts with original parts.

Installation kits are faulty if they indicate damage or if the switch can no longer be guaranteed to remain firmly in place. Faulty installation kits cannot be repaired. They must be replaced in accordance with these Operating Instructions.

## Accessories, spare parts

Contact the service address for BARTEC GmbH for accessories and spare parts.

## Disposal

Comply with national regulations when disposing of metal waste.

## Service address

BARTEC GmbH  
Max-Eyth-Str. 16  
97980 Bad Mergentheim  
Germany

Tel.: + 49 7931 597 0  
Fax: +49 7931 597 119

## **BARTEC**

**BARTEC GmbH**  
Max-Eyth-Str. 16  
97980 Bad Mergentheim  
Germany

Tel: +49 7931 597 0  
Fax: +49 7931 597 119  
Mail: [info@bartec.com](mailto:info@bartec.com)

**[bartec.com](http://bartec.com)**