

ComEx^{flex} Modules with junction box

Type 07-33.3-5.../.....



ComEx^{flex} Modules with junction box

Type 07-33.3-5.../....



Note on instructions

When working in hazardous areas, the safety of personnel and equipment depends on compliance with the relevant safety regulations. The people in charge of installation and maintenance bear a special responsibility. It is essential that they have an exact knowledge of the applicable rules and regulations.

The instructions provide a summary of the most important safety measures and must be read by everyone working with the product so that they will be familiar with the correct handling of the product.

The instructions have to be kept for future reference and must be available throughout the expected life of the product.

Description

The ComEx^{flex} Modules with junction box with cable gland is designed for combining with various function modules. Selection chart, see page 3.

Two screws are used to connect the junction box to the respective function module.

The ComEx^{flex} Modules with junction box allows a conductor to be connected, which can be assembled either to order or by the customer.

Explosion protection

Notified Body Number	0044
Approved Body Number	2503
ATEX/UKEX	Ⓜ II 2G Ex db eb IIC T6 Gb
Ex type of protection	Ⓜ II 2D Ex tb IIC T80°C Db* (*only compliant with Type 05-0003-00**/****)
	Lamp module or illuminaten button activated by intrinsically safe circuits
	Ⓜ II 2G Ex db eb ia IIC T6 Gb
	Ⓜ II 2D Ex tb ia IIC T80°C Db* (*only compliant with Type 05-0003-00**/****)
Certification	CML 17ATEX 1117X CML 21UKEX1716X
IECEX	Ex db eb IIC T6 Gb
Ex type of protection	Ex db eb ia IIC T6 Gb Ex tb IIC T80 °C Db Ex tb ia IIC t80 °C Db
Certification	IECEX CML 17.0055X
Ambient temperature ranges	-55 °C to +40 C°/+50 °C/+60 °C (-67 °F to 104 °F/+122 °F/140 °F)
	Depends on the function module; observe the specifications on the type label
Approved for zones	1, 2 and 21, 22

Technical data

Protection class	Function module with junction box and actuating element: Up to IP66/IP67
Weight	Approx. 40 g (0.09 lb)
Electrical parameters	See operational instruction of the respective function module
Cable gland clamping range	- 5 to 10 mm (0.2 to 0.39 in)
Enclosure material / manufacturing process	Thermoplastic / injection moulding
Mounting	Screwed to the function module
Shock resistance	DIN EN 60068-2-27: 30 g 18 ms
Dimensions	See page 3.

Safety Instructions

The ComEx^{flex} Modules with junction box may be used only within the specified ambient and operating temperature range.

Utilization in areas other than those specified or the modification of the product by anyone other than the manufacturer is not permitted and will exempt BARTEC from liability for defects and any further liability.

Incorrect installation can cause malfunctioning and the loss of explosion protection.

The generally applicable statutory rules and other binding directives relating to workplace safety, accident prevention and environmental protection must be observed.

Before commissioning or restarting operation, check compliance with the applicable laws and directives.

The ComEx^{flex} Modules with junction box may be used only if it is in a clean and undamaged condition. It is not permissible to modify the junction box in any way.

Marking

Particularly important points in these instructions are marked with a symbol:



DANGER indicates a hazardous situation which, if not avoided, will result in death or serious injury.



WARNING indicates a hazardous situation which, if not avoided, could result in death or serious injury.



CAUTION indicates a hazardous situation which, if not avoided, could result in minor or moderate injury.



NOTICE is used to address practices not related to personal injury.

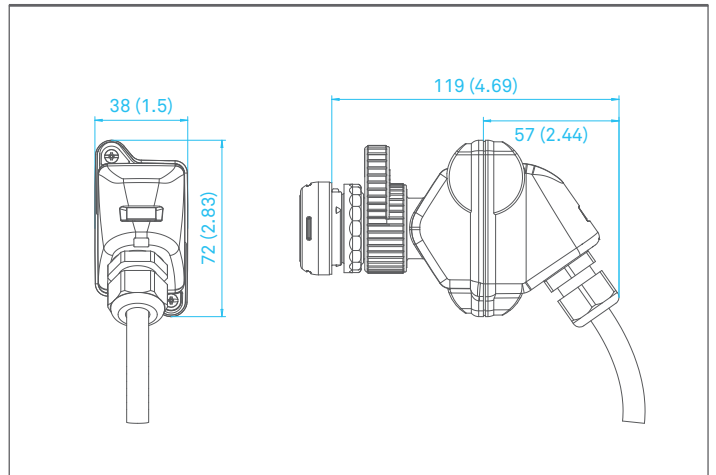


NOTE Important instructions and information on effective, economical and environmentally compatible handling.

Standards conformed to

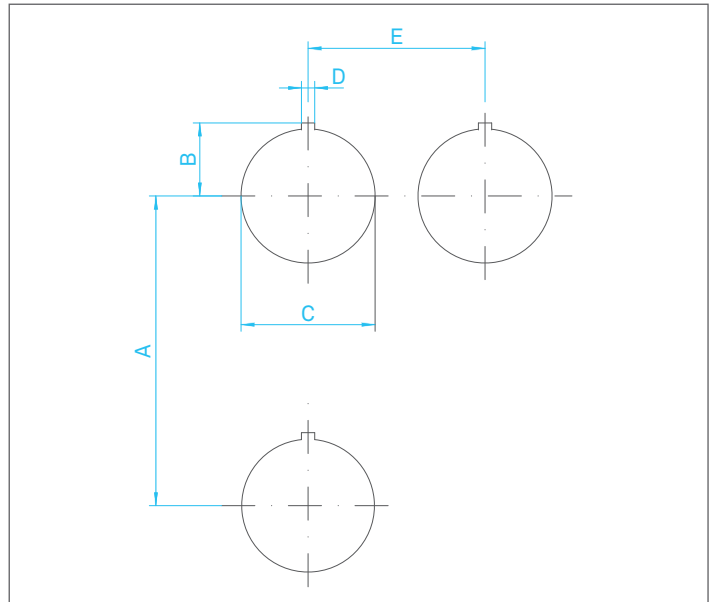
Please See Attestations of Conformity.

Dimensions in mm (in)



NOTE

Observe the minimum bending radii of the inserted cables.



Dimensions

	mm	in
A*	70	2.76
B	16.5 ± 0.2	0.65 ± 0.008
C	∅30.3 + 0.3	∅1.9 + 0.012
D	3 ± 0.1	0.12 ± 0.004
E*	40	1.58

* Recommended spacing for mushroom push-button, slam button, and: position selector switches with protective shroud: 100 mm (3.9 in).

Transport, Storage



NOTICE

The ComEx^{flex} Modules with junction box damage through incorrect transport or incorrect storage.

- Transport and storage is permissible in original packaging only.

Commissioning



WARNING

Risk of serious injury due to incorrect proceedings.

- Only authorized and qualified personnel may do any of the assembly, disassembly, installation and commissioning work.
- Install the ComEx^{flex} Modules with junction box as a stationary unit and protected it against the risk of mechanical damage as well as the risk of electrostatic charge.
- In potential explosive dust atmosphere the ComEx^{flex} Modules with junction box shall be installed with a separately certified actuator element of type 05-0003-00*/**** of BARTEC.
- Install cable firmly.
- Use suitable tools.

Assembly/disassembly



NOTICE

Property damage due to incorrect tightening torques.

- Loose or excessive tightening of the thread or the cap nut can affect the type of protection, the density, or the strain relief. The tightening torques are dependent on the cables and conductors used. They have to be determined by the operator. The cable gland and the cap nut have to be tightened firmly.

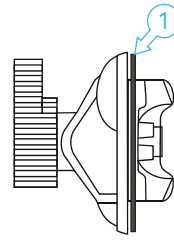


NOTE The switch module in the sketch serves as an example of all function modules.

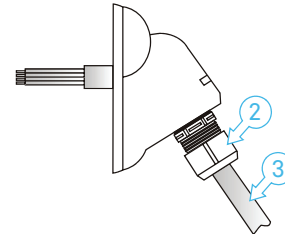
Mounting the junction box:

- Make sure the junction box and the sealings to be fitted are

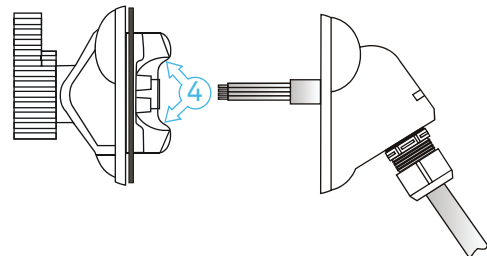
intact (no cracks).



- Put the sealing (1) with the round side facing downwards into the circumferential groove.
- Strip approx. 40 mm (1.58 in) from the length of the conductor and remove approx. 6 mm (0.24 in) conductor insulation from the cores.



- Open the cap nut (2) far enough to allow the conductor to be inserted.
- Feed the conductor (3) into the cable gland on the junction box until there is sufficient length available for preparing the conductor connection.
- Close the cap nut (2).

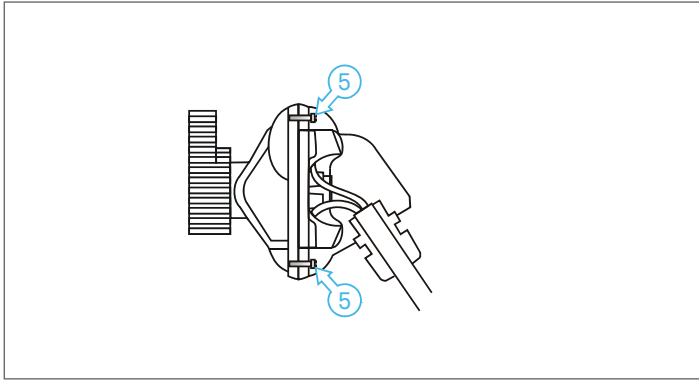


- Connect the conductors (4).

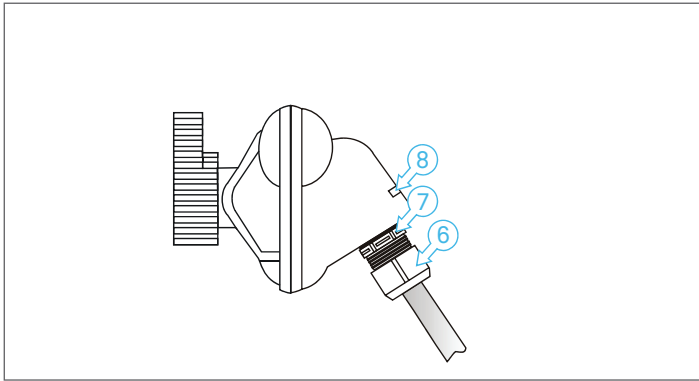


NOTE The conductor connection and the terminal assignment for the individual function modules are described in the operating instructions for each function module.

- Push the junction box firmly onto the function module.



- Tighten the screws (5). Torque 0,5 – 0,6 Nm (0,36-0,44 lb.ft).



- Tighten the cap nut (6) 1,3 Nm (0,96 lb.ft)(fixing nut (7), max. torque 2.0 Nm (1.46 lb.ft).
- Open the clip to take out the label (8), write on it and put it back in again.

Commissioning

Before commissioning, check that:

- The ComEx^{flex} complete device has been installed in compliance with regulations.
- The ComEx^{flex} complete device is not damaged.
- The connection has been established properly.

Maintenance and Fault Clearance



WARNING

Risk of serious injury due to incorrect proceedings.

- Only authorized qualified personnel may do any of the work relating to maintenance and fault clearance.
- IEC/EN 60079-17 must be observed.

The operator of the ComEx^{flex} Modules with junction box must keep it in good condition, operate it properly, monitor it and clean it regularly.

Maintenance



WARNING

Risk of serious accidents due to damaged parts.

- Check junction boxes, sealings, and cables regularly for cracks and damage. Make sure that they are properly established.



NOTICE

ComEx^{flex} Modules with junction box damage due to incorrect cleaning.

- ComEx^{flex} Modules with junction box damage due to incorrect cleaning.

Fault Clearance



WARNING

Risk of serious injury due to use of nonoriginal spare parts.

- Use original parts only as replacements. The ComEx^{flex} Modules with junction box are defective if they have cracks or other damage or if the cable no longer fits absolutely securely. Defective ComEx^{flex} Modules with junction box cannot be repaired; They must be replaced considering this operational instruction.

Accessories, Spare Parts

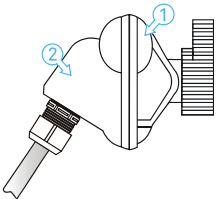
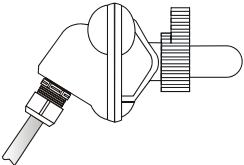
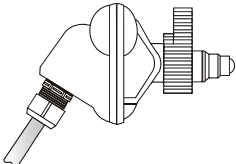
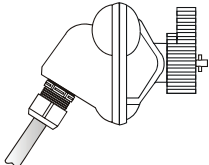
For further accessories and spare parts, see BARTEC catalogue.

Disposal

The components in the ComEx^{flex} Modules with junction box contain metal and plastic parts. Therefore the statutory requirements for disposing of electronic scrap must be observed (e.g. disposal by an approved disposal company).



Combinations with modules

Illustration	Description and type/order number
	<p>ComEx^{flex} Switch Module with Junction Box ComEx^{flex} Switch Module (1) Type 07-3323-4***/** (details see Link) ComEx^{flex} Junction Box (2) Type 05-0042-0050</p>
	<p>ComEx^{flex} Illuminated Indicator Module with Junction Box ComEx^{flex} Illuminated Indicator Module (1) Type 07-3353-4***/** (details see Link) ComEx^{flex} Illuminated Indicator Module Ex i (2) Type 05-0042-0050</p>
	<p>ComEx^{flex} Illuminated Push Button with Junction Box ComEx^{flex} Illuminated Push Button (1) Type 07-3363-4***/** (details see Link) ComEx^{flex} Illuminated Push Button Ex i (2) Type 05-0042-0050</p>
	<p>ComEx^{flex} Control and switching unit with Junction Box ComEx^{flex} Control and switching unit (1) Type 07-3373-4***/** (details see Link) ComEx^{flex} Junction Box (2) Type 05-0042-0050</p>

Service Address

BARTEC GmbH
Max-Eyth-Str. 16
97980 Bad Mergentheim
Germany

Phone: +49 7931 597 0
Fax: +49 7931 597 119

EU Konformitätserklärung
 EU Declaration of Conformity
 Déclaration UE de conformité
 N° 01-3300-7C0001-C




Wir	We	Nous
BARTEC GmbH Max-Eyth-Straße 16 97980 Bad Mergentheim Germany		
erklären in alleiniger Verantwortung, dass das Produkt Steuer-, Schalt- und Anzeigemodul	declare under our sole responsibility that the product Control, Switching and Display Module	attestons sous notre seule responsabilité que le produit Commande, commutation et module afficheur
Typ 07-33*3-5***/*		
auf das sich diese Erklärung bezieht den Anforderungen der folgen- den Richtlinien (RL) entspricht ATEX-Richtlinie 2014/34/EU EMV-Richtlinie 2014/30/EU RoHS-Richtlinie 2011/65/EU und mit folgenden Normen oder nor- mativen Dokumenten übereinstimmt	to which this declaration relates is in accordance with the provision of the following directives (D) ATEX-Directive 2014/34/EU EMC-Directive 2014/30/EU RoHS-Directive 2011/65/EU and is in conformity with the following standards or other normative documents	se référant à cette attestation correspond aux dispositions des direc- tives (D) suivantes Directive ATEX 2014/34/UE Directive CEM 2014/30/UE Directive RoHS 2011/65/UE et est conforme aux normes ou docu- ments normatifs ci-dessous
EN IEC 60079-0:2018 EN 60079-1:2014 EN 60079-7:2015/A1:2018 EN 60079-11:2012	EN 60079-31:2014 EN 61000-6-2:2005 EN 61000-6-4:2007/A1:2011	
Verfahren der EU-Baumuster- prüfung / Benannte Stelle	Procedure of EU-Type Examination / Notified Body	Procédure d'examen UE de type / Organisme Notifié

CML 17ATEX1117X – Issue 2
2776, CML B.V., Hoogoorddreef 15, 1101BA Amsterdam, NL



Bad Mergentheim, 19.07.2022


 i.A. Simon Dyhringer
 Product Manager Ex e


 i.A. Steffen Mika
 Certification Manager R&D

BARTEC

BARTEC GmbH
Max-Eyth-Str. 16
97980 Bad Mergentheim
Germany

Phone: +49 7931 597-0
info@bartec.com

bartec.com