

# ComEx<sup>flex</sup> Switch module

for local control stations and control panels



The ComEx<sup>flex</sup> switch module is used in almost all hazardous areas where machine functions are activated by means of a button or a switch. The ComEx<sup>flex</sup> is flexible and in addition to a large number of actuating elements it offers a junction box to facilitate a safe and convenient installation of the module into a control panel.

All contacts in the switch modules are selfcleaning and the opening contacts have positive opening operation. The conductors are connected by means of terminals on the back of the module which have an increased safety level. The easy installation of the actuating elements, without the use of tools, ensures conformance to the high IP degree of protection.

- One module for all fields of application
- Large selection of actuating elements
- High flexibility thanks to the junction box
- Low installation depth

### Explosion protection

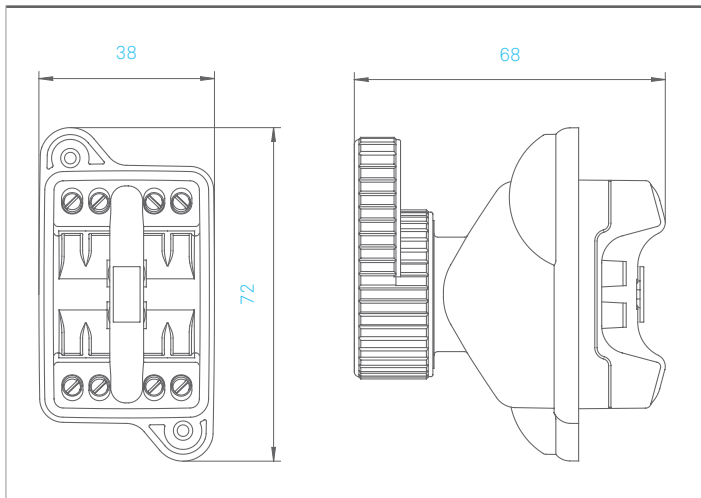
Marking ATEX	Ex II 2G Ex db eb IIC Gb Ex I M2 Ex db eb I Mb
Certification	CML 17 ATEX 1105 U
Marking IECEx	Ex db eb IIC Gb Ex db eb I Mb
Certification	IECEx CML 17.0045U

Other approvals and certificates, see [bartec.com](http://bartec.com)

### Technical data

Ambient temperature	-55 °C to +60 °C			
Protection class	determined by the actuating element and control station enclosure, min. IP 66, terminals IP 20 (IEC 60529).			
Rated insulation voltage	690 V			
Rated voltage	400 V	400 V	110 V	60 V
Utilization category	AC-12	AC-15	DC-13	DC-13
Rated operating currents	16 A	10 A	1 A	2 A
Conventional thermal current $I_{the}$	16 A/+40 °C, 11 A/+60 °C			
Contact options	contacts with positive-break operation (self-cleaning) 1 N/C and 1 N/O or 2 N/C or 2 N/O			
Contact material	AgSnO <sub>2</sub>			
Enclosure material	Thermoplastic			
Connection	Terminals 2.5 mm <sup>2</sup> , fine stranded			
Electrical load gold-plated contacts	Min. DC 2 V - 300 mA Max. DC 60 V - 1 mA For alternating current, these values are not to be interpreted as peak values.			
Mechanical life	>10 <sup>6</sup> switching cycles			
Storage and transport temperature	-55 °C to +70 °C			
Weight	approx. 110 g			
Mounting	locked, bayonet lock			
Shock resistance	DIN EN/IEC 60068-2-27, 30 g 18 ms			

### Dimensions



### Ordering information

Switch module without actuating element

0	7	-	3	3	2	3	-	4	*	0	0	0	0	0	*
A										B					

Actuating element

0	5	-	0	0	0	3	-	0	0	*	*	*	*
										C C C C			

Type of contacts	Code A	Actuating element	Code CCCC
2 NC	1	Pushbutton	0700
		Double push button actuator	7400
		Emergency stop NOT-AUS	0800
		Selector switch 0 + I latching, 2 positions	0900
		Selector switch I + II latching, 3 positions	1000
2 NO	2	Selector switch I + II latching, 3 positions	1000
		Selector switch I + II momentary-contact, 3 positions	1001
		Selector switch I latching, II momentary-contact, 3 positions	1002
		Selector switch I momentary-contact, II latching, 3 positions	1003
		Mushroom pushbutton, black	1800
1 NC + 1 NO	4	Mushroom pushbutton, black	1800
		Lockable in both positions, DOM lock	1200
		Lockable in the depressed position, DOM lock	1201
		Lockable in the initial position, DOM lock	1202
		Locking-type mushroom pushbutton	1203

#### Code B

0 = silver-plated contacts  
1 = gold-plated contacts

Please enter code number. Other actuators available see [bartec.com](http://bartec.com)