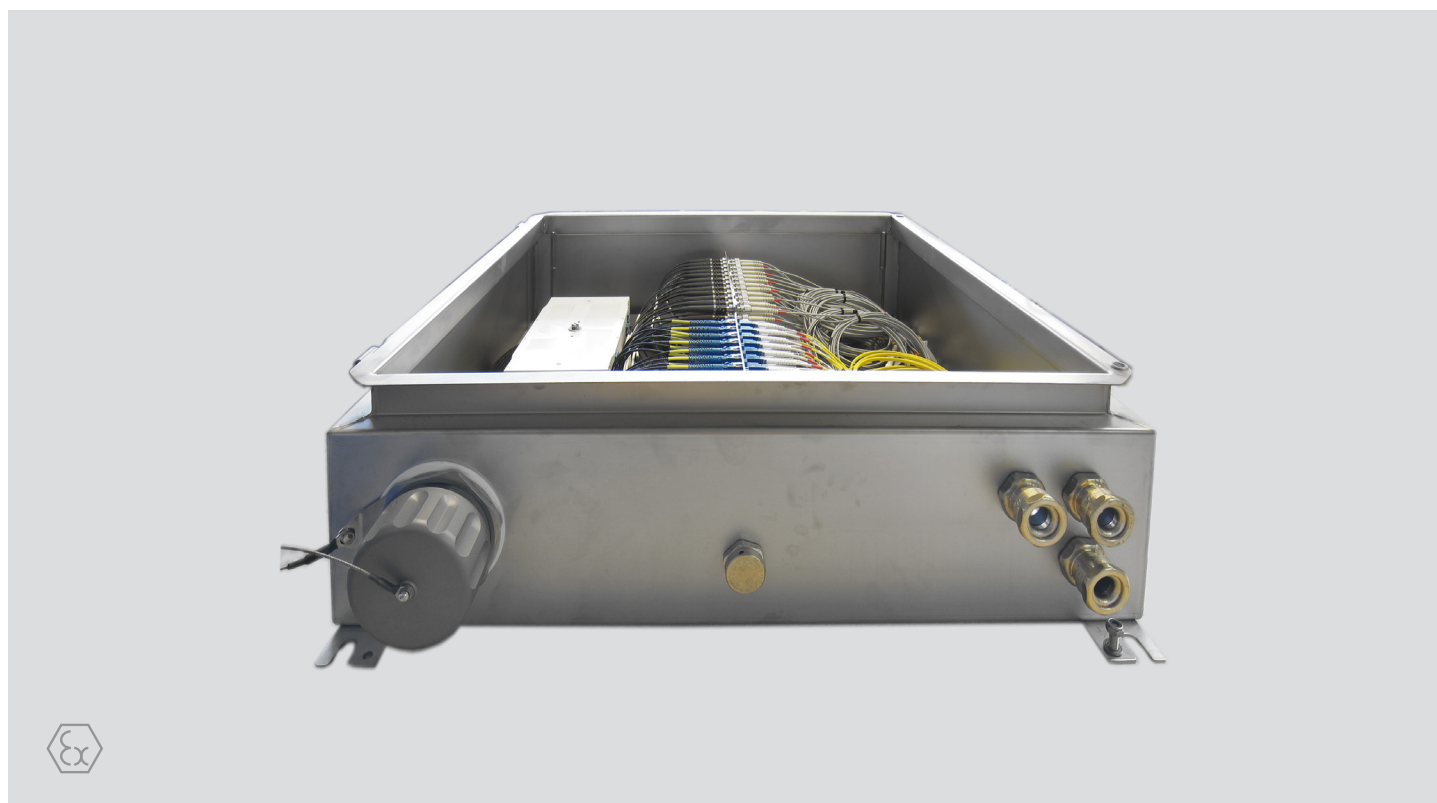


# EXbox<sup>®</sup> Fiber Optics

Rugged solutions for fiber optic signals



With the increasing digitization and requirement for high-speed networking, the Bartec Technor junction boxes for fiber optic signals performs dependably in the harshest of environments. Applying our proven design found in the TNCN product line, we are able to provide long-term high-speed junctions in potentially hazardous locations.

## Features

- Wide range of stocked sizes
- Rugged construction
- Mounting plate included
- True and repeatable IP protection 66/67/68
- Copper/fiber capability
- May be combined with Ex e/i signals
- Certified according to IEC/EN 60079-28
- Compliant to op is, op pr and op sh

## Options

- Thermostat/Hygrostat controlled space heater
- 2 to 72 pin connectors
- Hybrids with multi and single mode + copper
- Media converters

## Explosion protection

Marking*	Ex II2G, Ex e IIC T6/T5/T4 Gb Ex II2D, Ex tb IIIC T80°C to 110°C IP66, IP67, IP68
Certification ATEX	DEKRA 13 ATEX 0209 IBExU 12ATEX1099X
Certification IECEx	IECEX DEK 13.0075 IECEX IBE 12.0031X
INMETRO	UL-BR 11.0118
CSA	CoC 2515401
EAC	TR CU RU C-DE.BH02.B,00177/19
Standards	EN/IEC 60079-0, EN/IEC 60079-7, EN/IEC 60079-31, EN/IEC 600079-28
	Other approvals and certificates, see <a href="http://www.bartec.com">www.bartec.com</a> * Marking may vary based on the components installed.

## Technical data

Material	stainless steel 316L
Protection class	IP 66/67/68
Surface treatment	shot blasted and acidized or painted to project specifications
Grounding	external/internal M6 bolt

## Dimension table – range of stocked boxes

Type	Width (cm)	Height (cm)	Depth (cm)	Volume (dm3)	Weight (kg)
28281702A	28	28	17	13.3	5.2
30201702A	30	20	17	10.2	5.0
38381702A	38	38	17	24.0	7.1
38382902A	38	38	29	41.9	10.1
38451702A	38	45	17	29.0	8.7
38571702A	38	57	17	36.8	10.6
57571702A	57	57	17	55.2	15.9
57573002	57	57	30	97.5	20.5
57762002	57	76	20	86.7	22.0
76763002	76	76	30	173.3	31.2

Other sizes are available on request. The boxes are delivered as standard with left hinged lid secured to the enclosure by screws. Quicklocks, screws only, or other systems can be delivered upon request. See data sheet for EXbox® for detailed dimensional information.



**Example** of two splice cassettes within box size 38381702A

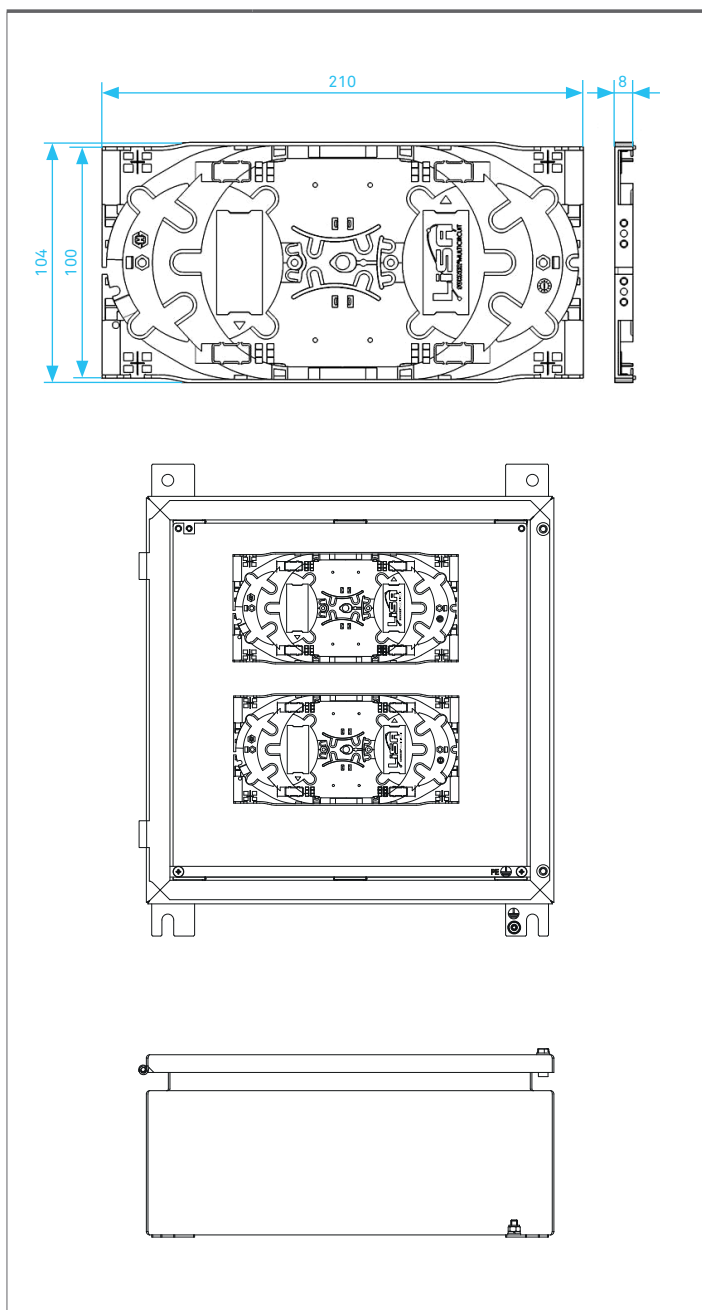
All junction boxes are supplied with 1 x 24 termination splice cassette. Brackets with connectors for LC, ST or copper/fiber combinations available on request.

Take care when selecting termination type to ensure the solution complies with the IEC60079-28 standard.

### Technical data splice cassette

Dimensions (L x W x H)	210 x 104 x 8 mm
Material	ABS/PC (UL 94 V-0)
Bending radius limitation	35 mm
Stack	Yes

### Dimensions



Please visit [www.bartec.com](http://www.bartec.com) for additional general arrangement drawings

**BARTEC**

BARTEC TECHNOR AS  
Vestre Svanholmen 24  
4313 Sandnes  
Norway

Tel.: +47 51 84 41 00

**[bartec-technor.no](http://bartec-technor.no)**