

GWR

Ex e enclosure for Zone 1/2/21/22



Installation

hazardous areas - Zone 1 / 2 (Gases) - Zone 21 / 22 (Dusts)

Classification

Group II - Category 2G 2D

Reference standards

| directive 2014/34/EU | |
|---------------------------------|--|
| Execution | ⊕ II 2 G Ex d e ia/ib mb IIC T6 or T3 Gb ⊕ II 2 D Ex tb IIIC T85 °C or T100 °C Db |
| Rules of compliance | EN/IEC 60079-0; EN/IEC 60079-1; EN/IEC 60079-7; EN/IEC 60079-11; EN/IEC 60079-18; EN/IEC 60079-31 |
| EU Type-Examination Certificate | INERIS 13 ATEX 9009U |
| Protection degree | IP66 |
| Ambient temperature | -50 °C ÷ +60 °C |
| Other available certificates | IECEX: IECEX INE 13.0021U INMETRO: CEPEL 13.2287 INMETRO (component): CEPEL 13.2273U ECASEx: 23-06-22481/Q23-06-048569/NB0002 NEC 505: UL 20141112-E465037 - Type rating NEMA 1, 12, 4 and 4X ITRI: ML041200701DI4 |

Mechanical characteristics

| | |
|----------------|---|
| Body | glass fibre reinforced polyester resin color dark grey RAL 7021 |
| Cover | glass fibre reinforced polyester resin color dark grey RAL 7021 |
| Screws | stainless steel |
| Internal plate | stainless steel - aluminium |
| Gasket | silicon |
| Strenght | 4 Joule impact resistance |

On Request Accessories

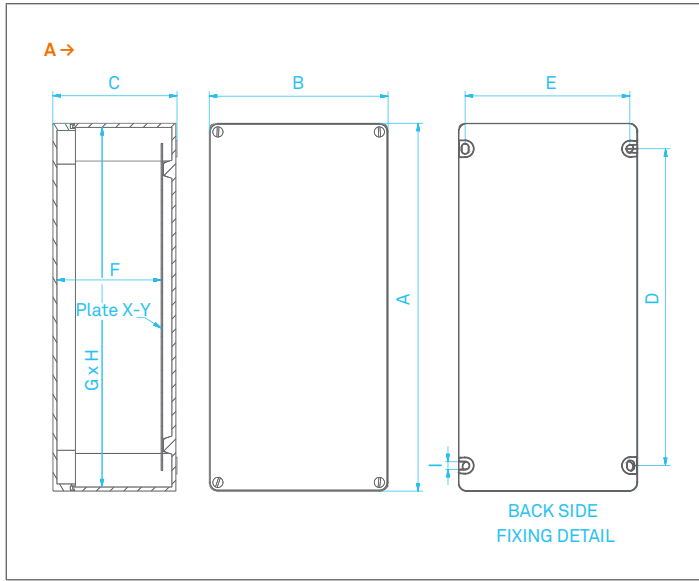
- Drain and breather valves

Indicative quantity of terminals and relevant section

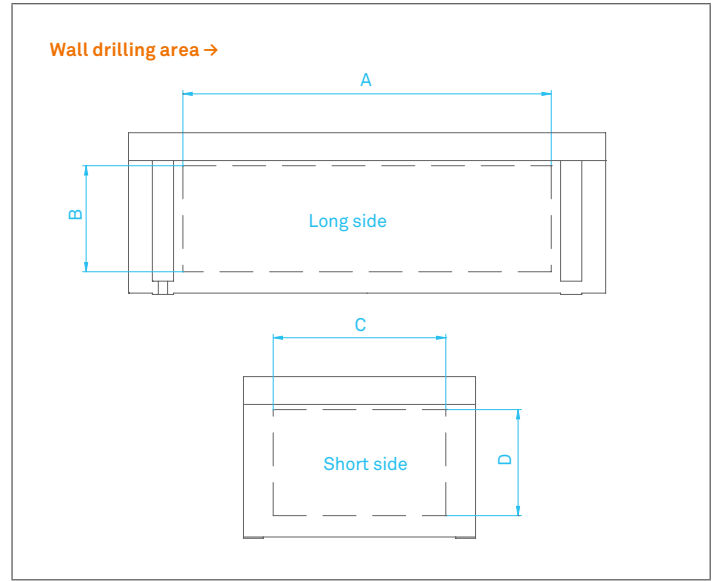
| Code | A [mm] | B [mm] | C [mm] | D [mm] | E [mm] | F [mm] | G [mm] | H [mm] | I [mm] | Int. plate X-Y [mm] | Weight [kg] | Detail |
|----------------------|--------|--------|--------|--------|--------|--------|--------|--------|--------|---------------------|-------------|--------|
| GWR22 ⁽¹⁾ | 175 | 175 | 121 | 162 | 125 | 100 | 167 | 167 | 7 | 135 - 135 | 1,25 | A |
| GWR42 ⁽¹⁾ | 360 | 175 | 121 | 310 | 161 | 102 | 352 | 167 | 7 | 320 - 135 | 2,50 | A |
| GWR44 ⁽¹⁾ | 360 | 360 | 121 | 346 | 307 | 102 | 352 | 352 | 7 | 320 - 320 | 3,40 | A |
| GWR84 ⁽¹⁾ | 730 | 360 | 168 | 670 | 340 | 147 | 720 | 350 | 8 | 670 - 310 | 8,00 | A |

⁽¹⁾ Enclosure's colour: N=black ral 9005 - B: light blue ral 5015. Examples: GWR22n - GWR42b

Reference details



Reference details



Body enclosures indicative maximum quantity of holes of the same size

| Enclosure code | Drilling area A-B long side | | | | | | | |
|----------------|--|----|----|----|----|---|---|---|
| | Quantity allowed entries for size (from 1 to size 8) | | | | | | | |
| GWR22 | 5 | 3 | 2 | 2 | 1 | 1 | 1 | - |
| GWR42 | 12 | 8 | 7 | 5 | 4 | 4 | 3 | - |
| GWR44 | 12 | 8 | 7 | 5 | 4 | 4 | 3 | - |
| GWR84 | 35 | 23 | 20 | 17 | 13 | 9 | 7 | 5 |

| Enclosure code | Drilling area C-D short side | | | | | | | |
|----------------|--|----|---|---|---|---|---|---|
| | Quantity allowed entries for size (from 1 to size 8) | | | | | | | |
| GWR22 | 5 | 3 | 2 | 2 | 1 | 1 | 1 | - |
| GWR42 | 5 | 3 | 2 | 2 | 1 | 1 | 1 | - |
| GWR44 | 12 | 8 | 7 | 5 | 4 | 4 | 3 | - |
| GWR84 | 17 | 11 | 9 | 8 | 6 | 4 | 3 | 2 |

Indicative quantity of terminals and relevant section

| Enclosure Code | Sect. 2,5 [sq/mm] | Sect. 6,0 [sq/mm] | Sect. 10,0 [sq/mm] | Sect. 16,0 [sq/mm] | Sect. 35,0 [sq/mm] | Sect. 50,0 [sq/mm] | Sect. 70,0 [sq/mm] | Sect. 240,0 [sq/mm] | Int. plate X-Y [mm] |
|----------------|-------------------|-------------------|--------------------|--------------------|--------------------|--------------------|--------------------|---------------------|---------------------|
| GWR22 | 18 x 2 | 10 x 2 | 10 x 1 | 8 x 1 | 6 x 1 | 4 x 1 | 4 x 1 | - | 135 - 135 |
| GWR42 | 48 x 2 | 16 x 2 | 16 x 2 | 20 x 1 | 12 x 1 | 4 x 1 | 4 x 1 | - | 320 - 135 |
| GWR44 | 48 x 3 | 37 x 2 | 34 x 2 | 29 x 2 | 12 x 2 | 16 x 1 | 16 x 1 | 4 x 1 | 320 - 320 |
| GWR84 | 92 x 3 | 74 x 3 | 68 x 3 | 58 x 3 | 32 x 2 | 32 x 2 | 32 x 2 | 14 x 1 | 670 - 310 |

REMARK:

Due to the development of the national and international specifications and of the technology, the above technical characteristics showed on this bulletin can be considered as binding on our confirmation only.