

# EYS-EZS-EZD-RMF-RFF

## Sealing fittings and three pieces union



EYS

EZS

Three piece unions

### Installation

Hazardous areas – Zone 1 / 2 (Gases) – Zone 21 / 22 (Dusts)

### Classification

Group II – Category 2G 2D

### Reference standards

Directive 2014/34/EU	
Execution	Ⓜ II 2 G Ex d IIC Gb Ⓜ II 2 D Ex tb IIIC Db
Rules of compliance	EN/IEC 60079-0; EN/IEC 60079-1; EN/IEC 61241-0; EN/IEC 61241-1
EU type-examination certificate	ICEPI 11 ATEX 03C002 (sealing fittings) INERIS 12 ATEX 0069X (three pieces union)
Protection degree	IP66 (sealing fittings) IP66/IP67 (three pieces union)
Ambient temperature	-20 °C ÷ +60 °C
Other available certificates	IECEx: IECEx INE 12.0051X (three pieces union) INMETRO: CEPEL 13.2243X (three pieces union) Russian marine certificate (RMRS): 19.02521.280 UL NEC-505: 20131102-E465038 (three pieces union) CCOE-PESO: P420533

### Sealing fittings – Mechanical characteristics

Material	Marine grade copper free aluminum light alloy
----------	---

### Three piece unions – Mechanical characteristics

Material	Galvanized steel
Gasket	Silicon rubber EPDM

### On Request Accessories

- Different threads from standard
- Different materials from standard

## Technical Features

### Sealing compound table

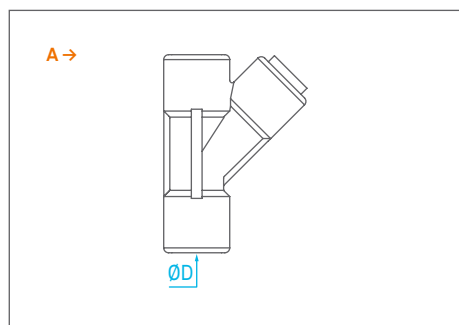
Detail "A"	Detail "B"	Detail "C"	ØD Hubs (EN 10226-2 OR NPT)	Size	EYS	EZS – EZD
Type	Type	Type			Quantity [gr]	Quantity [gr]
EYS1	EZS1	EZD1	1/2"	1	35	140
EYS2	EZS2	EZD2	3/4"	2	50	140
EYS3	EZS3	EZD3	1"	3	100	140
-	EZS5	EZD5	1-1/2"	5	-	390
-	EZS6	EZD6	2"	6	-	570
-	EZS7	EZD7	2-1/2"	7	-	1000
-	EZS8	EZD8	3"	8	-	1000

Sealing fittings to be sealed by means of CRV-420 bi-component sealing compound please refer to sealing table for quantities.

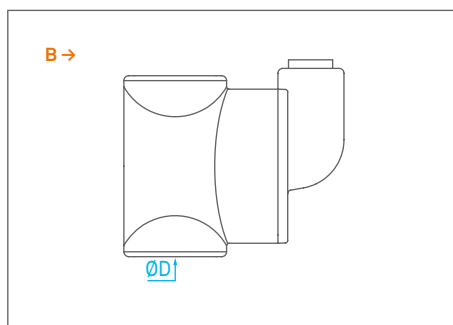
### Three pieces union – Technical Features

Three piece union male/female ex d IIC			Three piece union male/male ex d IIC			Three piece union female/female ex d IIC		
Type	ØD	Detail	Type	ØD	Detail	Type	ØD	Detail
RMF1	1/2"	D	RMM1	1/2"	D	RFF1	1/2"	E
RMF2	3/4"	D	RMM2	3/4"	D	RFF2	3/4"	E
RMF3	1"	D	RMM3	1"	D	RFF3	1"	E
RMF4	1-1/4"	D	RMM4	1-1/4"	D	RFF4	1-1/4"	E
RMF5	1-1/2"	D	RMM5	1-1/2"	D	RFF5	1-1/2"	E
RMF6	2"	D	RMM6	2"	D	RFF6	2"	E
RMF7	2-1/2"	D	RMM7	2-1/2"	D	RFF7	2-1/2"	E
RMF8	3"	D	RMM8	3"	D	RFF8	3"	E

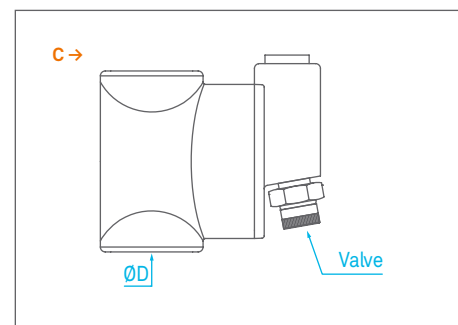
#### EYS



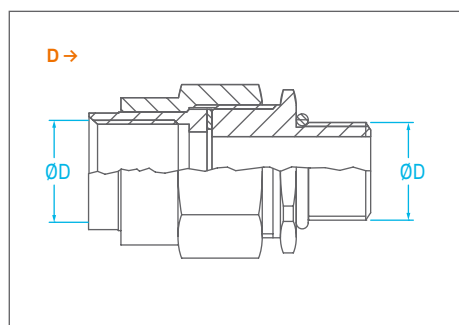
#### EZS



#### EZD



#### RMF



#### RFF

