

PNA

Cable glands unarmoured cables



Installation

Hazardous areas – Zone 1 / 2 (Gases) – Zone 21 / 22 (Dusts)

Classification

Group II – Category 2G 2D / 3G 3D

Reference standards

Directive 2014/34/EU	
Execution	<ul style="list-style-type: none"> ⊕ II 2 G Ex db / Ex eb/ Ex ia/ IIC Gb II 2 D Ex tb IIC Db ⊕ II 3 G Ex nR IIC Gc/II 3 D Ex tc IIC Dc
Rules of compliance	EN/IEC 60079-0; EN/IEC 60079-1; EN/IEC 60079-7; EN/IEC 60079-11; EN/IEC 60079-31
EU type-examination certificate	INERIS 09 ATEX 0028X INERIS 23 ATEX 3004X (Ex nR only)
Protection degree	IP66 or IP66/68
Ambient temperature	-40 °C ÷ +90 °C (Rubber rings EPDM-60) -60 °C ÷ +180 °C (Rubber rings SILICON)
Other available certificates	IECEx: IECEx INE 11.0017X INMETRO: CEPEL 12.2177X RINA: ELE411722CS Russian marine certificate (RMRS): 19.02521.280 CCC 2023122313116542 CCOE PESO: P531870 ECASEx: 23-06-22481/Q23-06-048569/NB0002 KC: in progress BS standard: EPTI 22 IEC 0423

Mechanical characteristics

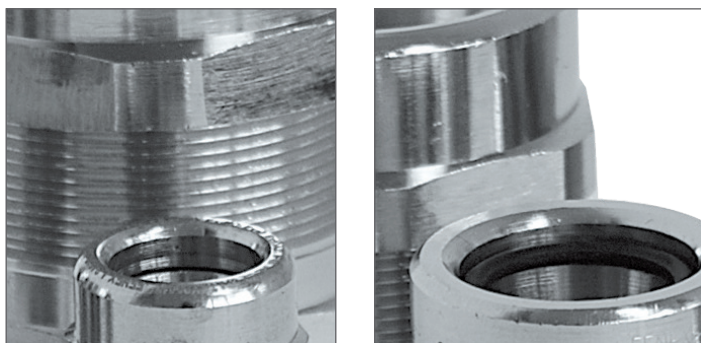
Body/cab	OT-58 marine brass (ON) – AISI-316L stainless steel (XX) marine grade copper free aluminium (on project request only)
Finishes	Full nickel plating treatment (brass material only)
Rubber rings	EPDM rubber 50-60 shore hardness (standard supply) Silicon rubber 60 shore hardness (on demand only)
O-ring	Silicon rubber – 60 shore hardness
Skid washer	Nylon 6.0

Applications

For unarmoured cables only
Single compression type suitable for indoor and outdoor use
Single compression – on cable (inner sealing)

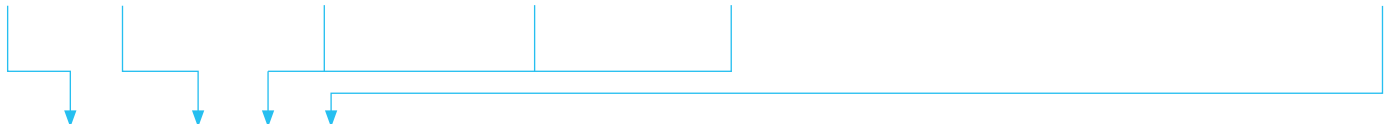
On Request Accessories

Locknuts, Gaskets, PVC Shrouds, Earthing Tags, Sealing (See DL-NW-PTD-ET bulletin)



Cable gland selection table

Code (1)	Size	Entry thread size				Inner sheath Dia.		Hexagon (mm)	Material	(3)		
		Metric	(2)	NPT	(2)	ISO 228	(2)				min (mm)	max (mm)
PNA#	00	ISO-M16	M	3/8" NPT	N	3/8"	G	4,0	7,0	24,0	Nickel pl. brass	ON
								7,0	10,0		Stainless steel	XX
PNA#	01	ISO-M20	M	1/2" NPT	N	1/2"	G	4,0	7,0	32,0	Nickel pl. brass	ON
								7,0	10,0		Stainless steel	XX
PNA#	02	ISO-M25	M	3/4" NPT	N	3/4"	G	5,5	8,0	36,0	Nickel pl. brass	ON
								8,0	10,5		Stainless steel	XX
PNA#	03	ISO-M32	M	1" NPT	N	1"	G	10,5	13,0	45,0	Nickel pl. brass	ON
								13,0	15,5		Stainless steel	XX
PNA#	04	ISO-M40	M	1 1/4" NPT	N	1 1/4"	G	15,0	18,0	53,0	Nickel pl. brass	ON
								18,0	21,0		Stainless steel	XX
PNA#	05	ISO-M50	M	1 1/2" NPT	N	1 1/2"	G	21,0	24,0	61,0	Nickel pl. brass	ON
								24,0	27,0		Stainless steel	XX
PNA#	06	ISO-M63	M	2" NPT	N	2"	G	27,0	30,0	71,0	Nickel pl. brass	ON
								30,0	33,0		Stainless steel	XX
PNA#	07	ISO-M75	M	2 1/2" NPT	N	2 1/2"	G	33,0	36,0	84,0	Nickel pl. brass	ON
								36,0	39,0		Stainless steel	XX
PNA#	08	ISO-M90	M	3" NPT	N	3"	G	39,0	42,0	101,0	Nickel pl. brass	ON
								42,0	45,0		Stainless steel	XX
PNA#	09	ISO-M100	M	4" NPT	N	4"	G	45,0	48,0	126,0	Nickel pl. brass	ON
								48,0	51,0		Stainless steel	XX

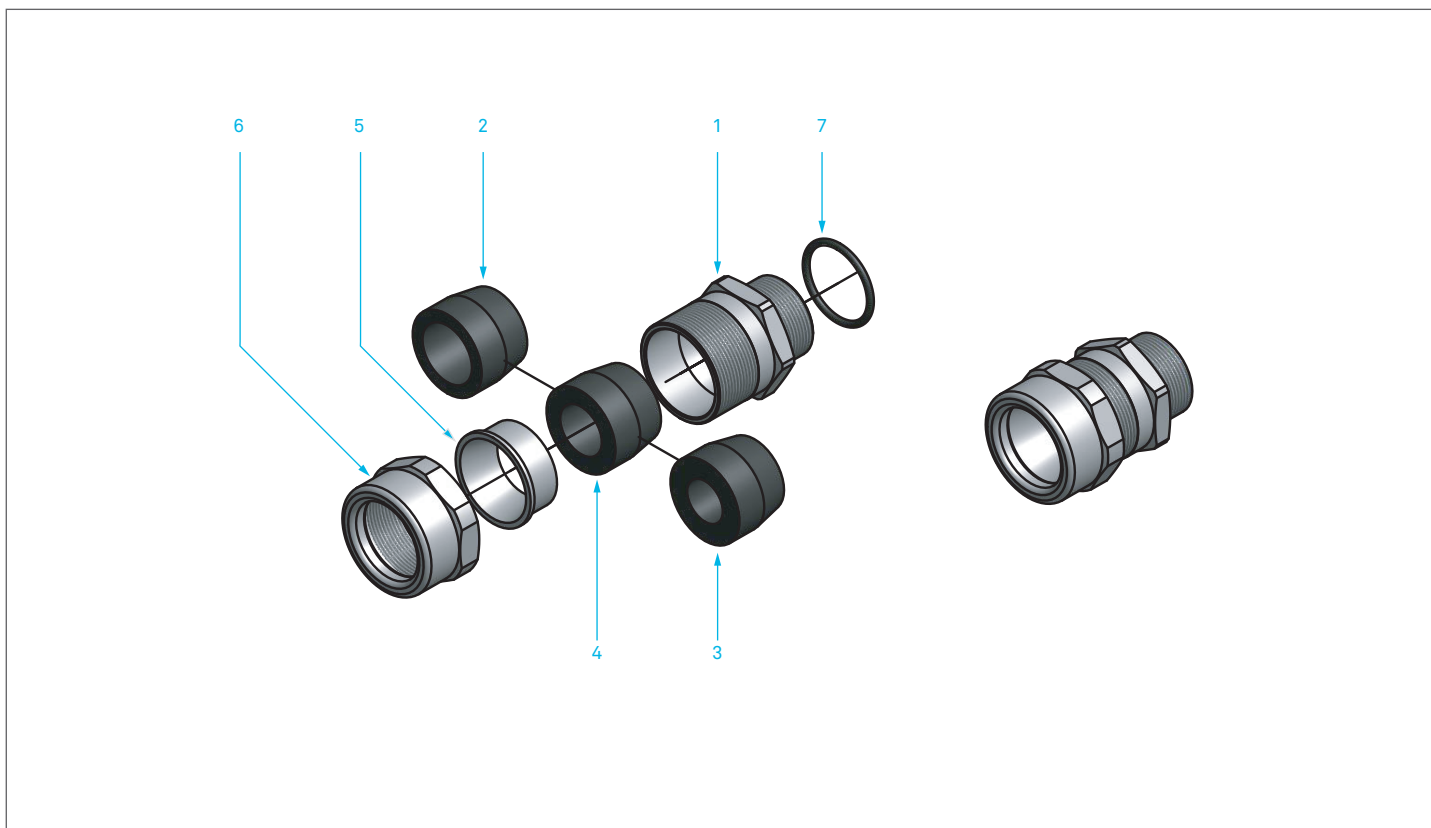


- P N A # 0 1 M O N** → PNA#01MON (non-barrier cable gland nickel plated brass ISO-M20 THR.)
- P N A # 0 3 N X X** → PNA#03NXX (non-barrier cable gland stainless steel 1/2"NPT THR.)

Cable gland ordering examples

Legend		
(1) –	cable gland type/model	PNA# = non-barrier cable gland
(2) –	threading	M = ISO METRIC pitch 1,5mm / N = NPT (ANSI/ASME B1.20.1) – G = ISO-228
(3) –	cable gland material	ON – nickel plated marine brass / XX = AISI-316L stainless steel

PNA dimensional



1	Body
2 - 3 - 4	Inner sealing ring for not armoured cable
5	Press ring
6	Gland nut
7	O-ring (only for metrical)

REMARK:

Due to the development of the national and international specifications and of the technology, the above technical characteristics showed on this bulletin can be considered as binding on our confirmation only.